

Caloray Disc is a high intensity electric heater. Elegant and unobtrusive, suitable for residential and commercial applications.

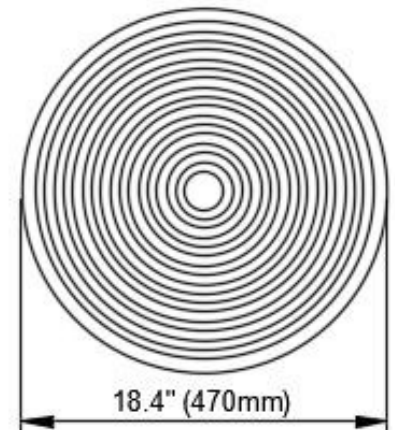
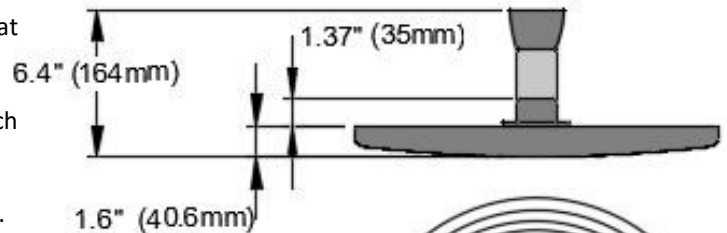
Caloray is suitable for loft apartments, luxury homes, restaurants, cafes and other commercial spaces.

Using innovative no-glow technology, Caloray is easy to install and energy efficient. Caloray comes with a gangbox on the rear of the heater and has a 3 pin terminal block. Active, Neutral and Earth.

Also available with multiple mounting options for hard to heat areas.

Available in 3 different voltages, choose the model to match your power supply.

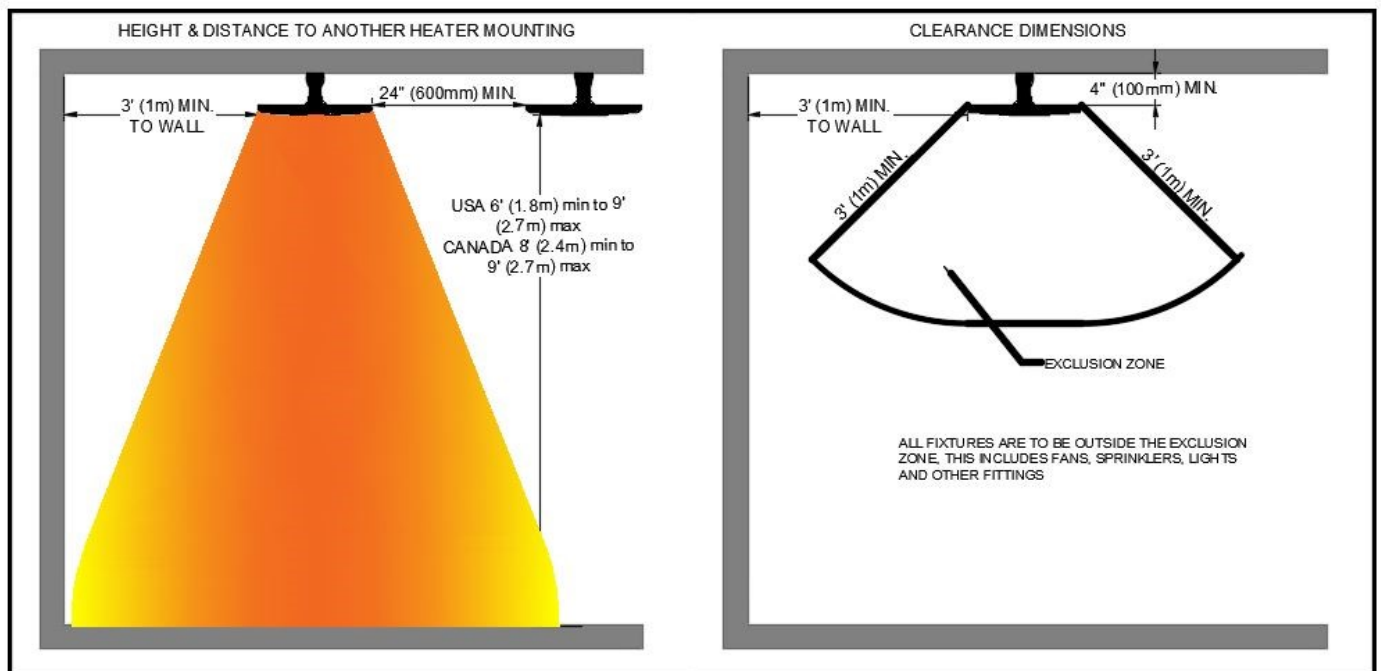
Designed, engineered and tested in Australia. Made in China.




HEATED AREA	ENCLOSED 4 WALLS & ROOF	SHELTERED 2 WALLS & ROOF	OPEN TRELLIS
FLOOR AREA	48 ft ² (4.5 m ²)	41 ft ² (3.6 m ²)	34 ft ² (3 m ²)
DIAMETER	8 ft (2.4 m)	7.5 ft (2.2 m)	7 ft (2 m)

Caloray Disc is Suitable for indoor and outdoor applications. A heater will cover more area, if it is more protected, through a ceiling, walls, café blinds, etc.

Caloray is IP55 rated and can be placed outdoors, exposed to the elements like rain, wind and snow.



USA * CANADA MEXICO	PART No	POWER		VOLTAGE (volts)	CURRENT (amps)	APPROVAL
		(Watts)	(BTUs)			
CALORAY DISC REGULAR	15001	1500	5120	120	12.5	
CALORAY DISC CAFE	15003	2000	6824	208	9.6	
CALORAY DISC HOTEL	15005	2000	6824	240	8.4	

Caloray Disc is versatile with a range of accessories to fit many applications. For targeted heat, use the accessories to place the heater above where the heat is needed.

POLES

For higher ceilings, use the poles to lower the heater to its effective range. They can be cut down by the installer to a custom length.

WALL MOUNT BRACKET

For where there is no ceiling, or its impractical, use the Wall Mount Option. With an elegant arch, the wall mount is suitable for exposed or enclosed area.

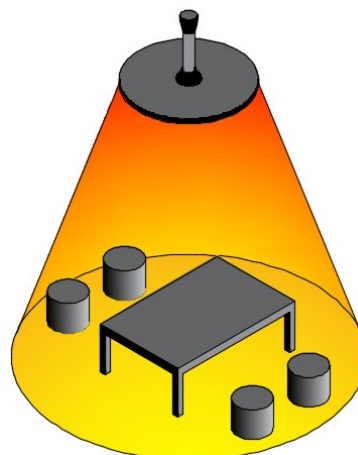


HOOD

To match the sleek look of lighting, the Hood can fit all poles and the wall mounting bracket.

CABLING

For a clean, no cable look, there is a hole in the larger Mounting Poles for the cable to be threaded. The roof mounting bracket has two holes for screws into the ceiling and another to thread the cable into the ceiling ensuring the cabling is hidden.



For best results using radiant heating, place the heater above the area where it is needed.

For larger areas, use multiple heaters.

Install Caloray Disc according to all local building codes.